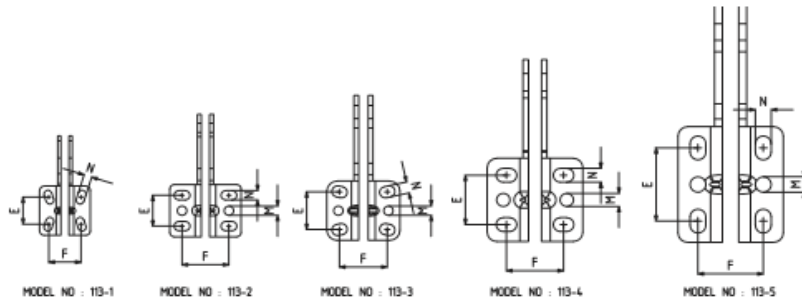


### 113 - Horizontal Toggle Clamps

Body Mounting Base: Side mount base

Part Number	F1 (N)	F2 (N)	F3 (N)	F4 (N)	Fi		Compression Screw	Angle
					F1:Fi	F2:Fi		
19-111-1	850	650	1000	800	7:1	3:1	M5 x 35	90 °
19-111-2	1000	750	1200	1000	7:1	3:1	M6 x 40	90 °
19-111-3	2300	1250	2500	1350	8:1	4:1	M8 x 50	90 °
19-111-4	3500	1800	3650	2000	9:1	4:1	M10 x 70	90 °
19-111-5	4500	2000	5000	2125	10:1	5:1	M12 x 80	90 °

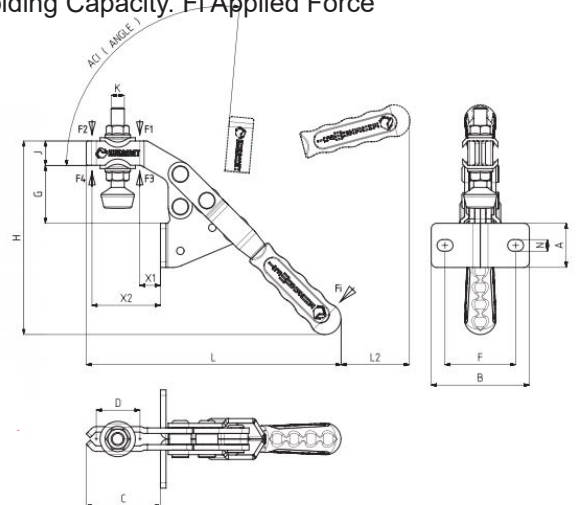


### 133 - Horizontal Toggle Clamps

Body Mounting Base: Side Mounting

Part Number	F1 (N)	F2 (N)	F3 (N)	F4 (N)	Fi		Compression Screw	Angle
					F1:Fi	F2:Fi		
19-133-5	4500	3250	5000	3500	8.5:1	6:1	M12 x 80	90 °

F1-F2 Exerting Force. F3-F4 Holding Capacity. Fi Applied Force



Part Number	A	B	C	D	F	G	H	J	K	L	L2	N	X1	X2
19-133-5	40	89	67.5	20	60-68	52.5	180	22	M12	233	62	10.5 x 14.5	21	56